

# 467.3.403-3

## Vacuum cleaner motor performance

# DOMEL®

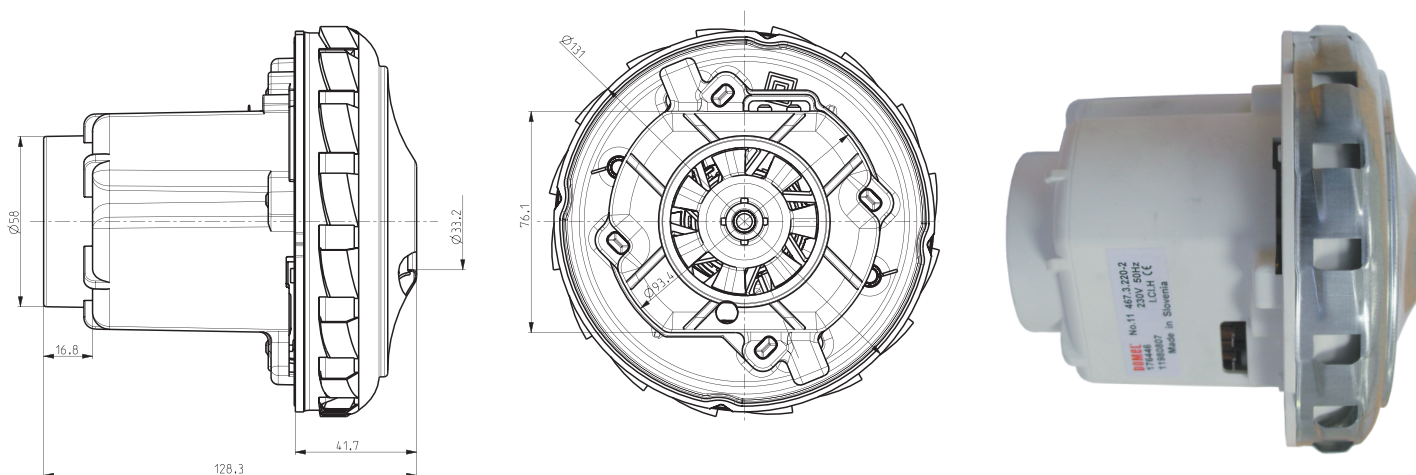
Vacuum cleaner motors with double insulation and high efficiency 467.3.403-3 / 1350W / 230V / 50Hz are used for wet and dry aspiration. Technical data and dimensions are given in the table. Vacuum motors consist of universal commutator motor and single fan stage. The rotor is supported with two ball bearings enabling vertical or horizontal installation of motor. The motor is designed for insulation class 180 (H) and constructed according to EN 60335-1.

### Technical data:

Normal operation:	$P_m$	$\geq$	1400	W
Vacuum:	$P_{max}$	$\geq$	26,7 107,1	kPa in H <sub>2</sub> O
Air Flow at $\phi 50$ :	$Q_{\phi 50}$	$\geq$	70 149	dm <sup>3</sup> /s CFM
Air Power:	$P_{2max}$	$\geq$	540	W
Efficiency:	$\eta_{max}$	$\geq$	39	%
Mass:	$m$	$=$	1,22	kg

Voltage:	230 V
Frequency:	50 Hz
Nominal Power:	1350 W

## Max. power 1450W



Dimensional and performance data are subject to change without notice.

Orifice		Current	Input Power	Speed	Pressure		Air Flow		Air power	Efficiency
mm	in*	A	W	min <sup>-1</sup>	kPa	in H <sub>2</sub> O	dm <sup>3</sup> /s	CFM	W	%
50	2	6,52	1468	32932	2,4	9,0	74,1	158,3	180	12,3
40	1 1/2	6,55	1477	32759	4,9	23,5	66,8	136,0	326	22,1
30	1 1/8	6,51	1467	33039	10,0	44,4	53,2	106,1	533	36,4
23	7/8	6,17	1394	34372	15,1	63,1	37,9	76,4	573	41,1
19	3/4	5,83	1319	35866	18,2	73,0	28,2	60,1	514	39,0
16	5/8	5,49	1245	37477	20,8	83,7	21,3	44,5	441	35,4
13	1/2	5,09	1157	39668	23,2	94,0	14,8	30,1	343	29,7
10	3/8	4,70	1072	41653	25,3	102,1	9,1	17,9	231	21,5
6	1/4	4,38	1001	43718	26,5	106,4	4,0	8,3	106	10,6
0	0	4,09	935	45611	28,1	112,8	0,0	0,0	0	0,0

Data above represent the performance of an average motor sample. Individual data may vary due to normal manufacturing variations.

\* Orifice in inch is only approximative.